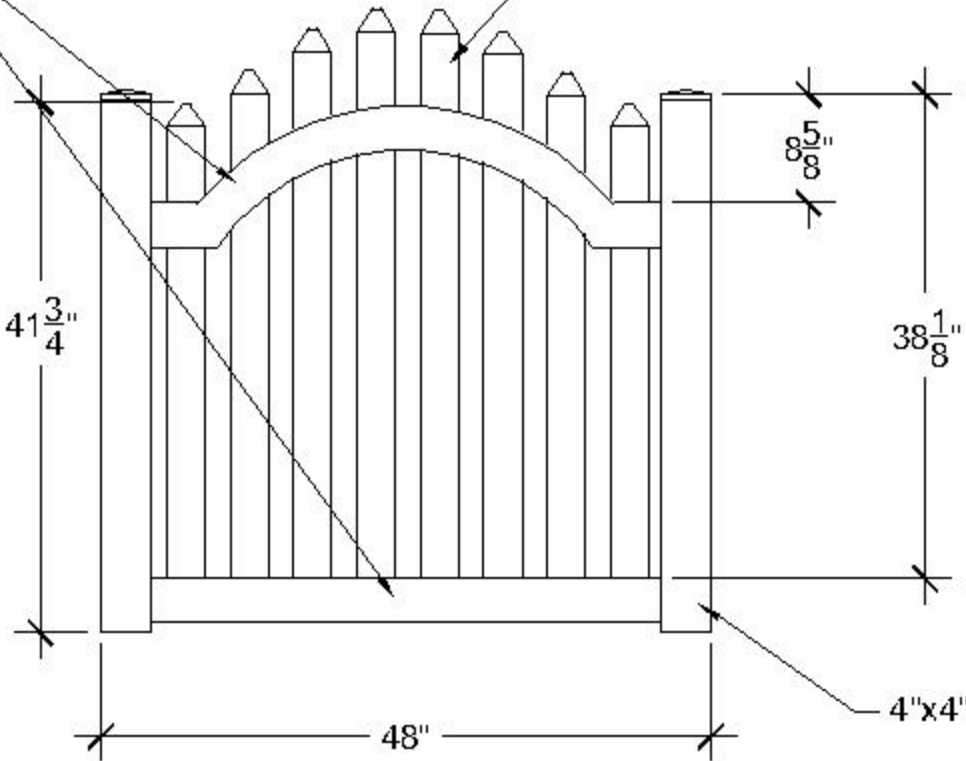


2"x3.5" rails

7/8"x 3" pickets



41 $\frac{3}{4}$ "

8 $\frac{5}{16}$ "

38 $\frac{1}{8}$ "

48"

4"x4" gate style