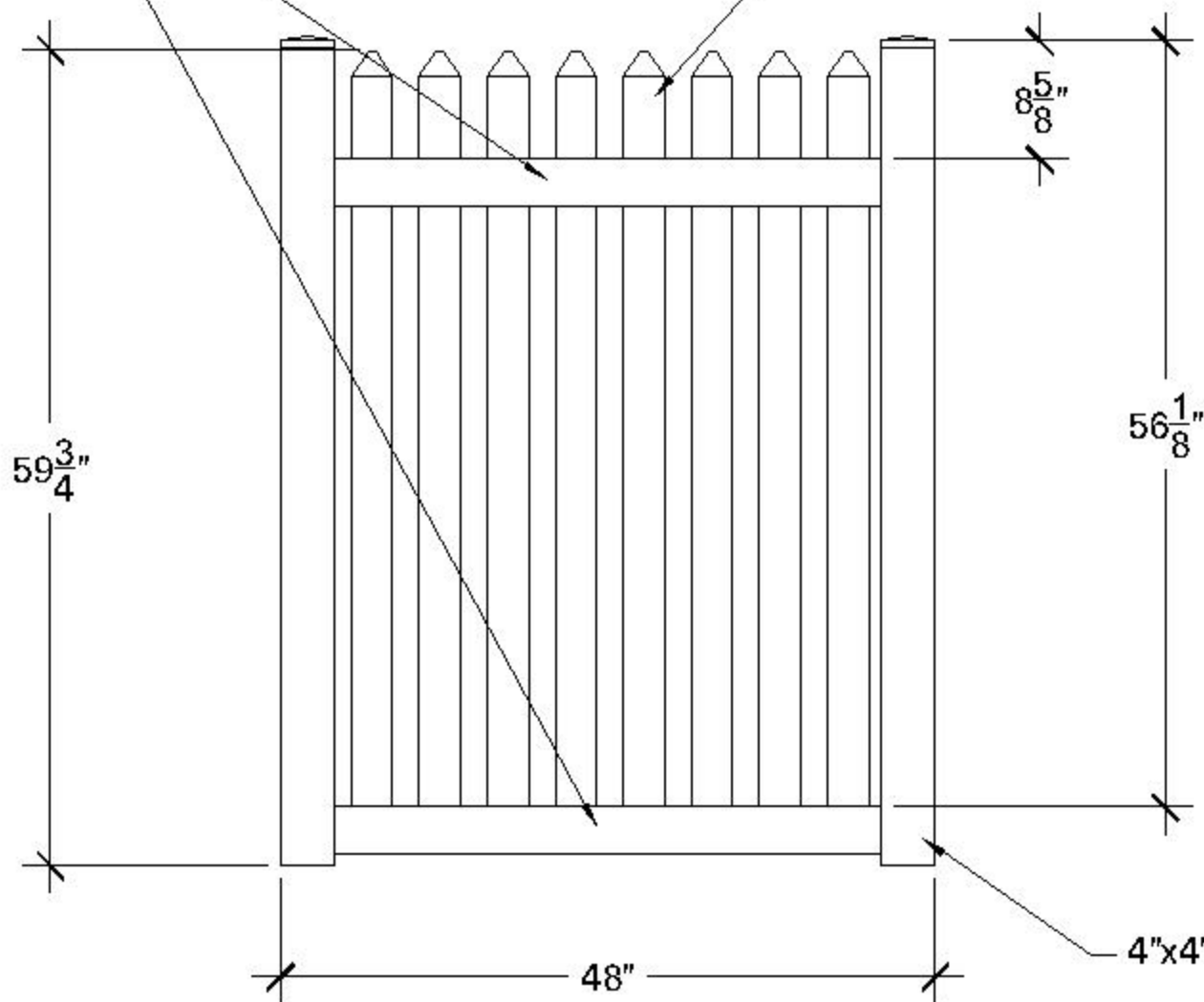


2"x3.5" rails

7/8"x 3" pickets



$8\frac{5}{8}$ "

$59\frac{3}{4}$ "

$56\frac{1}{8}$ "

48"

4"x4" gate style